

SECTION 5

Emergency Procedures

5.1 GENERAL INFORMATION

This section explains the steps to be taken in case of an emergency situation during operation.

5.2 EMERGENCY OPERATION

5.2.1 Operator Unable to Control Machine

IF THE PLATFORM OPERATOR IS PINNED, TRAPPED OR UNABLE TO OPERATE OR CONTROL THE MACHINE:

1. Other personnel should operate the machine from ground controls only as required.
2. Only qualified personnel in the platform may use the platform controls. DO NOT CONTINUE OPERATION IF CONTROLS DO NOT FUNCTION PROPERLY.
3. Rescue equipment can be used to remove the platform occupant. Cranes and forklifts can be used to stabilize motion of the machine.

5.2.2 Platform Caught Overhead

If the platform becomes jammed or snagged in overhead structures or equipment, do the following:

1. Shut off the machine.
2. Rescue all people in the platform before freeing the machine. Personnel must be out of the platform before operating any controls on the machine.
3. Use cranes, forklifts or other equipment to stabilize motion of the machine to prevent a tip over as required.
4. From the ground controls, carefully free the platform from the object.
5. Once clear, restart the machine and return the platform to a safe position.
6. Inspect the machine for damage. If the machine is damaged or does not operate properly, turn off the machine immediately. Report the problem to the proper maintenance personnel. Do not operate the machine until it is declared safe for operation.

5.3 PLATFORM MANUAL DESCENT

The platform manual descent valve is used in the event of total power failure to retract and lower the platform using gravity. The manual descent valve is located at the bottom of the mast assembly on the front of the machine inside an access hole. Look for the instruction decal located just above the access hole. (See [Figure — Location of Manual Descent Valve \(Front of Machine\)](#), page 61.)

The procedure is as follows:

1. Locate the manual descent valve on the front of the machine at the base of the mast.

! WARNING

Keep hands and arms out of the path of the mast and platform while lowering.

2. Press and hold the RED button on the manual descent valve, release the button when the platform is lowered to desired level.

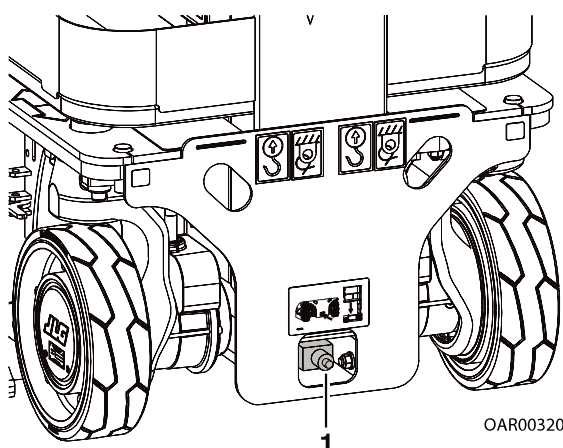


Figure 29. Location of Manual Descent Valve (Front of Machine)

5.4 INCIDENT NOTIFICATION

JLG Industries, Inc. must be notified immediately of any incident involving a JLG product. Even if no injury or property damage is evident, the factory should be contacted by telephone and provided with all necessary details.

- USA: 877-JLG-SAFE (554-7233)
- EUROPE: (44) 1 698 811005
- AUSTRALIA: (61) 2 65 811111
- E-mail: productsafety@jlg.com

Failure to notify the manufacturer of an incident involving a JLG Industries product within 48 hours of such an occurrence may void any warranty consideration on that particular machine.

NOTICE

Following any accident, thoroughly inspect the machine and test all functions first from the ground control station, then from the platform control console. Do not elevate platform until you are sure that all damage has been repaired, if required, and that all controls are operating correctly.